



SPLITNOZZLE™

WS-400
SUPERNOVA
EVOTECH



LS-400
SUPERNOVA
ENTECH



LPH-300-LV



LV Technology™



LPH-400-LVX



LPH-400-LV



LPH-400-LVB



W-400-LV



SPLITNOZZLE™

Split Nozzle

LV Air Cap

Tulip Spray
Pattern

LV Technology™

Patented & Proven

Save Time - Save Materials - Save Energy



ANEST IWATA USA, Inc.

Toll Free (800) 470-7068
questions@anestiwata.com
www.ANESTIWATA.com



LV-LIT-LAK

LV Technology™

Patented Split Nozzle Dual-Atomization
For a Uniform Flat Finish

1 Save Time with Less Rework

The Split Nozzle and LV air cap work together to create a superfine atomization with evenly distributed droplets for a uniform flat finish requiring less polishing to speed up production.

2 Save Materials with Less Overspray

LV Technology creates a focused tulip shaped spray pattern that forces overspray onto the surface and out of the air.

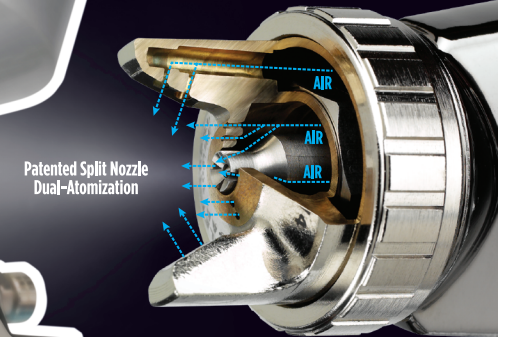
3 Save Energy with Less Air Consumption

Spray guns with LV Technology spray at a low psi for lower compressor cycle times and electrical savings.

1 AIR FROM LV TECHNOLOGY SPLIT NOZZLE PULVERIZES FLUID



Split Nozzle



Patented Split Nozzle Dual-Atomization

2 LV TECHNOLOGY AIR CAP ATOMIZES AND FORMS TULIP SPRAY PATTERN

LV Air Cap

STANDARD SPRAY PATTERN

Tulip Spray Pattern

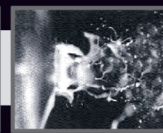
Low psi

3

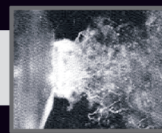
LV Technology Split Nozzle



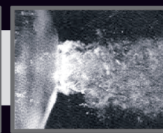
0 psi



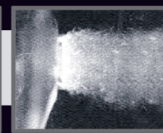
0.7 psi



1.5 psi



2.9 psi



4.4 psi

Standard Nozzle

